



Before attempting to connect or operate this product, please read these instructions completely.

PRODUCT INSTRUCTIONS

IN-4500
MODELS: Outdoor Dome Housings
JK-PHO, JK-PHI

ELECTRICAL SPECIFICATIONS (OUTDOOR ONLY):



Power 24VAC, Class 2 Only

26 watts at 24 VAC (accessories)

Heater: 25 watts

Blower: .84 watts

Input Connectors (outdoor units):

BNC

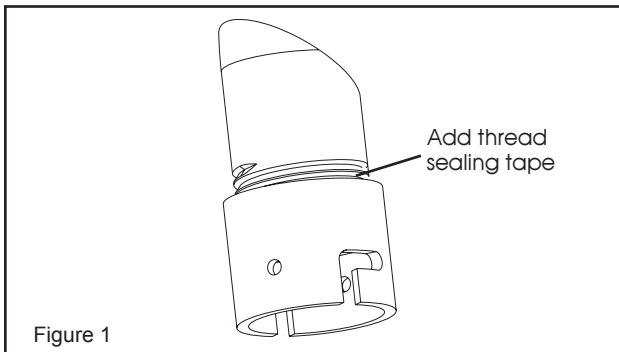
(2) screw-down connectors

GENERAL INSTRUCTIONS:

Tools Required: .100" Flat Head Screwdriver
Phillips Head Screwdriver

- Carefully remove the housing from the packaging material. Check to be sure all parts are present.
- This unit includes a 1 1/2" NPT housing coupling that can be used with a standard 1 1/2" NPT pipe. The unit can be used with other brackets designed with 1 1/2" male pipe threads, such as the Toshiba's JK-WM and JK-PJM wall mount brackets.
- Attach the housing coupling to the bracket or pendant pipe (Figure 1).

NOTE: Pipe threads should be clean and rust free. Use a sealer (such as Teflon™ tape or silicone sealer) on the threads.

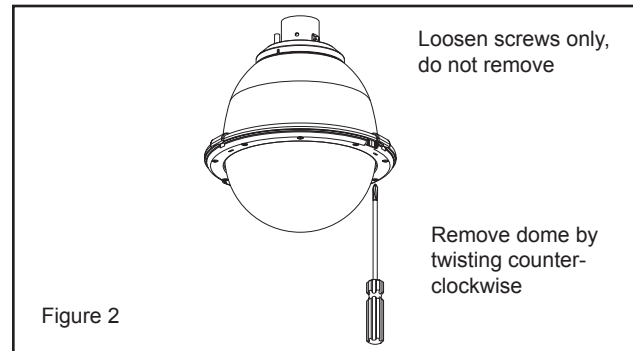


Be sure the bracket is properly and securely mounted to a supporting structure capable of rigidly holding the weight of the entire unit.

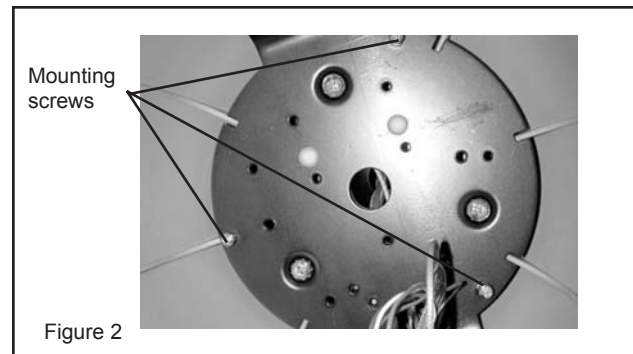
INSTALLING QUICK RELEASE BRACKET AND PAN/TILT CAMERA ASSEMBLY

NOTE: These installations should be completed before mounting the housing.

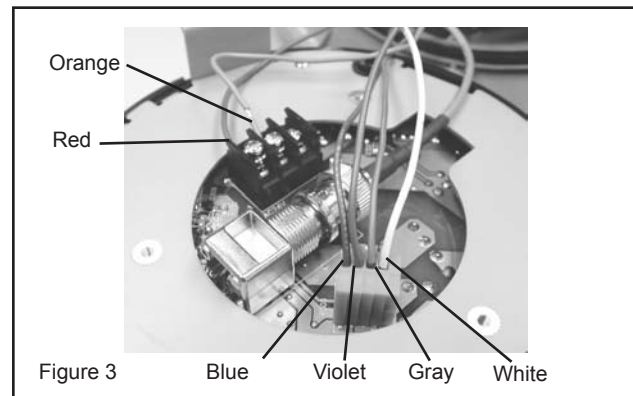
- Open the housing by loosening the (3) captive screws located on the housing ring next to the lower clear dome. Be careful not to back these all the way out. Twist the dome slightly in a counterclockwise motion to remove (Figure 2).



- Install the pan/tilt unit quick-release bracket using the three 6-32 Phillips head screws provided (Figure 3). Screw down only about halfway.



- Make wiring connects from the housing to the Pan/Tilt base (Figure 3). Use the Color Code Chart B on the next page for correct connections.



A. Wiring Color Code Power and Control Inputs (Outside of housing)

POWER

1	Camera Power (24 VAC)	Red
2	Camera Power (24 VAC)	Orange
3	Accessory Power (24 VAC)	Yellow
4	Accessory Power (24 VAC)	Green

CONTROL

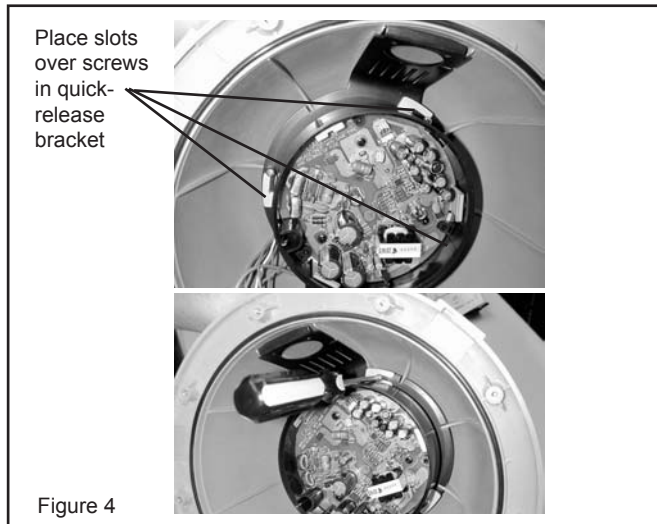
1	RS-485RXA	Blue
2	RS-485RXB	Violet
3	RS-485TXA	Gray
4	RS-485TXB	White

B. Power and Control Outputs (Inside of housing)

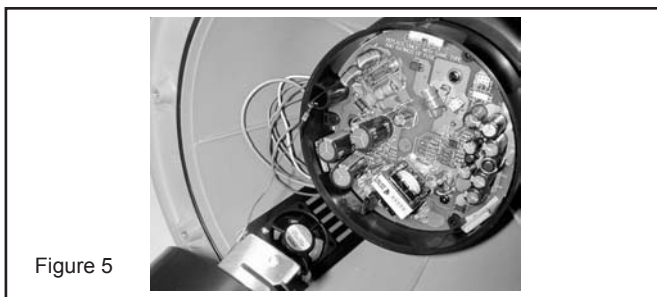
POWER AND CONTROL LEADS

1	Camera Power (24 VAC)	Red
2	Camera Power (24 VAC)	Orange
3	RS-485RXA	Blue
4	RS-485RXB	Violet
5	RS-485TXA	Gray
6	RS-485TXB	White

- Connect the Pan/Tilt base to the quick-release bracket by sliding the slots on the top of the base over the screws on the quick-release bracket. Tighten the screws to secure the base to the bracket (Figure 4).



- Attach the safety cable on the bottom of the camera onto the slot on the Pan/Tilt base (Figure 5).



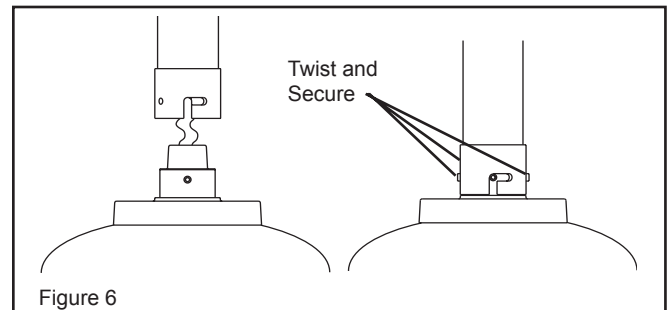
- Attach the Six Position Pan/Tilt Connector from the camera to the Pan/Tilt base (Figure 6). Connect the dome camera to the Pan/Tilt base by aligning the notch on the Pan/Tilt base with the arrow on the camera, and turning the camera clockwise until it locks.



- Clean the inside of the dome with the text-wipe provided. Reattach the housing dome and secure the (3) captive screws. DO NOT OVERTIGHTEN THE SCREWS. Tighten only to the point at which the gap between the ring and the housing top closes.

MOUNTING THE HOUSING

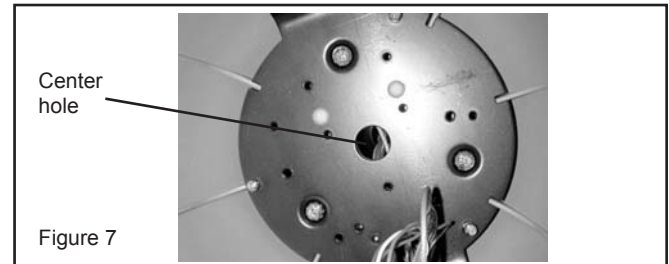
- Mount the housing assembly to the mounting bracket and housing coupling. A safety cable is included with the housing to temporarily hold it while making wiring connections. Loop the safety cable over one of the set screws on the housing coupling.
- Make the appropriate connections using the (2) screw-down connectors supplied. Refer to Chart A as a guide.
- Undo the safety cable and twist the housing onto the housing coupling. Secure all (3) set screws provided on the housing coupling (Figure 7).



- Clean the outside of the dome with the text wipe provided.

WIRING FOR INDOOR UNITS

- Run incoming wiring into the top of the housing and through the hole in the center of the quick release bracket. (Figure 7).



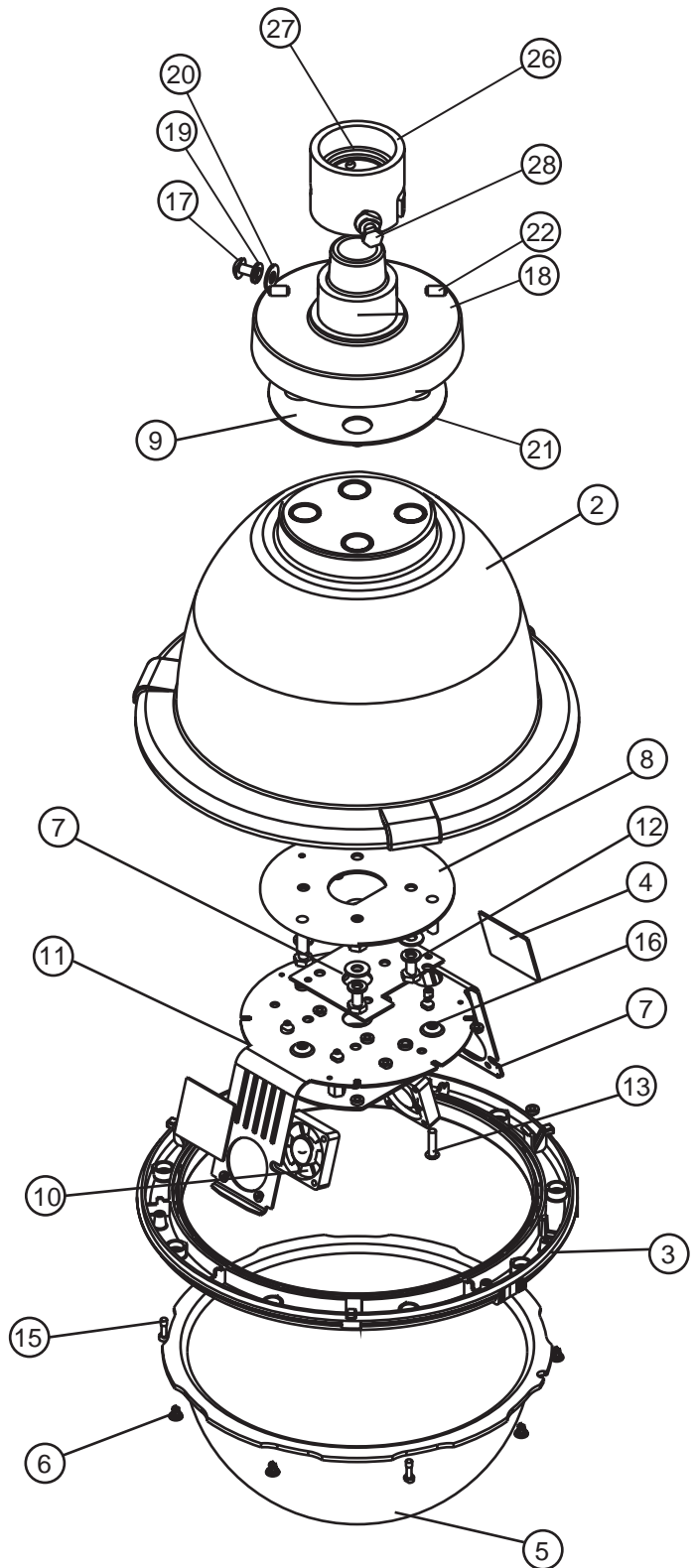
- Attach the housing to the pendant coupling.
- Connect the wiring to the Pan/Tilt base per Toshiba's instructions.

Parts List

1. Housing
2. Housing Coupling
3. Housing Packet
 - a. (2) Mates for screw down connectors (not supplied with indoor units)
 - b. (3) 6 x 32 x 3/8" Mounting screws with star washers
 - c. (2) 1/4" Flat washers
 - d. (2) 1/4" Split Lock washers
 - e. Instruction Manual

EXPLODED VIEWS OF HOUSING

Item No.	Description	Part No.	Qty
2	Housing Top	30-VL1697	1
3	Dome Support Ring	30-VL1695	1
4	25W, 24VAC w/Leads	72-HT1752	1
5	Clear Dome	20-DCFD8	1
n/s	Tinted Dome	20-DTFD8	1
n/s	9.25" O-ring	96-RSORG11	2
6	Plastic Ring Plugs	30-VL1696	6
7	PCB	76-FPD8PB	1
8	Upper Housing Bracket	30-VL1744	1
9	Housing Gasket	96-PSGK05	3
10	Housing Fan	71-VLBL03	1
11	Adapter Bracket (In Housing Packet)	40-PKFD8	1
12	1/4 x 20 x .75" HH Bolts	90-BTHH27	4
12	1/4 Split Lock Washer	92-WSSL01	4
12	1/4 Flat Washer	92-WSFL01	4
13	10 x 32 x .75 Phil PH SS	90-BTRP28	3
15	Captive Screw	30-VL1749	3
n/s	Captive Screw Spring	92-SPR01	3
n/s	Captive Screw Retainer	94-FSRT04	3
16	Main Housing Bracket	30-VL1742	1
n/s	Housing Ring 1" Lanyard Spring	92-SPR02	1
n/s	Lanyard Spring Screws	90-BTPEM01	2
n/s	Power/Control/Video Input Cable	40-CAFD802	1
17	1/4 x 20 FH SS Bolt	90-BTSR01	1
18	Housing Pendant Bracket	30-VL926	1
19	1/4 Split Lock Washer	92-WSSL01	1
20	1/4 Flat Washer	92-WSFL01	1
21	Housing Gasket	96-PSGK05	1
22	1/4 x 20 x 1/2" Set Screw	90-BTSS05	2
26	1 1/2" Housing Coupling	30-VL917	1
27	Upper Housing Gasket	96-PSGK04	1
28	1/4 x 20 x .375" HH Bolts	90-BTHH39	2
n/s	1/4 Flat Washer	92-WSFL01	2
n/s	1/4 Split Lock Washer	92-WSSL01	2



IMPORTANT SAFEGUARDS

1. **Read Instructions** - All the safety and operating instructions should be read before the unit is operated.
2. **Retain Instructions** - The safety and operating instructions should be retained for future reference.
3. **Heed Warnings** - All warnings on the unit and in the operating instructions should be adhered to.
4. **Follow Instructions** - All operating and user instructions should be followed.
5. **Electrical Connections** - Only a qualified electrician should make electrical connections.
6. **Attachments** - Do not use attachments not recommended by the product manufacturer as they may cause hazards.
7. **Cable Runs** - All cable runs must be within permissible distance.
8. **Mounting** - This unit must be properly and securely mounted to a supporting structure capable of sustaining the weight of the unit. Accordingly:
 - a. The installation should be made by a qualified installer.
 - b. The installation should be in compliance with local codes.
 - c. Care should be exercised to select suitable hardware to install the unit, taking into account both the composition of the mounting surface and the weight of the unit. Be sure to periodically examine the unit and the supporting structure to make sure that the integrity of the installation is intact. Failure to comply with the foregoing could result in the unit separating from the support structure and falling, with resultant damages or injury to anyone or anything struck by the falling unit.

ONE-YEAR LIMITED WARRANTY

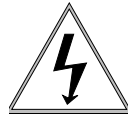
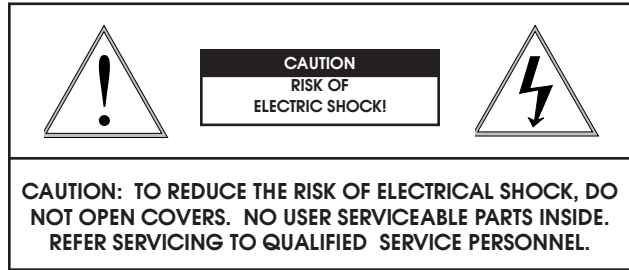
Videolarm, Incorporated warrants that products sold hereunder shall be fit for the ordinary purpose for which said products are intended and shall be free from defects in material and workmanship for a period of one year from date of sale to buyer. Note that all electrical components will be warranted for a period of 1 year from date of sale to buyer. Videolarm makes no other warranty of any kind with respect to this product, whether expressed or implied, including, without limitation, the implied warranty of fitness for a particular purpose.

In the event of a breach of the above warranty, Videolarm shall, at its option, repair or replace said product. This is Videolarm's sole obligation under this warranty. In no event shall Videolarm be liable for any incidental or consequential damages, as defined in section 2-715 of the Uniform Commercial Code by a breach of this warranty.

Videolarm shall repair or replace defective products upon shipment of products prepaid to Videolarm, Inc., 2525 Park Central Blvd., Decatur, GA 30035.

Repairs made necessary by reason of accident, misuse or normal wear shall be charged at Videolarm's standard rate. This warranty gives you specific legal rights, and you may also have other rights which vary from state to state.

SAFETY PRECAUTIONS



The lightning flash with an arrowhead symbol, within an equilateral triangle, is intended to alert the user to the presence of non-insulated "dangerous voltage" within the product's enclosure that may be of sufficient magnitude to constitute a risk of electric shock to persons.



The exclamation point within an equilateral triangle is intended to alert the user to presence of important operating and maintenance (servicing) instructions in the literature accompanying the appliance.

UNPACKING

Unpack carefully. Electronic components can be damaged if improperly handled or dropped. If an item appears to have been damaged in shipment, replace it properly in its carton and notify the shipper.

Be sure to save:

1. The shipping carton and packaging material. They are the safest material in which to make future shipments of the equipment.
2. These Installation and Operating Instructions.

SERVICE

If the unit ever needs repair service, the customer should contact Videolarm (1-800-554-1124) for authorization to return and shipping instructions.

TECHNICAL SUPPORT

If technical support is needed, Videolarm has set-up a 24 hour technical support line for their customers.

24 HOUR TECHNICAL SUPPORT

1-800-554-1124