

# TOSHIBA

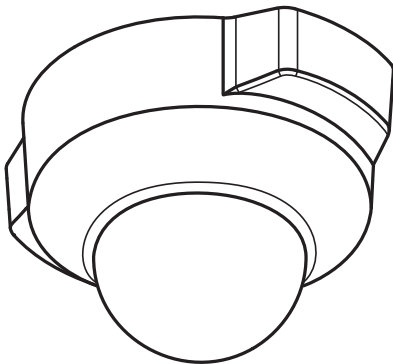
Leading Innovation >>>

## NETWORK CAMERA

### Model: IK-WD12A

#### Quick Start Guide and Important Safeguards

This guide describes the hardware installation.



Refer to the user's manual (PDF file) contained in the CD-ROM for settings, operations and other information.

The application Adobe Reader is needed to view PDF files. If you do not have this application, download it from the Adobe Systems Incorporated website.

■ <http://www.adobe.com/>

For information on our latest products and peripheral devices, refer to the following Website:

■ <http://www.toshibasecurity.com>

If the URL changes, refer to the Toshiba website (<http://www.toshiba.com>).

## FCC (USA)-INFORMATION

**NOTE:** This equipment has been tested and found to comply with the limits for a Class B digital device, pursuant to Part 15 of the FCC Rules. These limits are designed to provide reasonable protection against harmful interference in a residential installation. This equipment generates, uses and can radiate radio frequency energy and, if not installed and used in accordance with the instructions, may cause harmful interference to radio communications. However, there is no guarantee that interference will not occur in a particular installation. If this equipment does cause harmful interference to radio or television reception, which can be determined by turning the equipment off and on, the user is encouraged to try to correct the interference by one or more of the following measures:

- Reorient or relocate the receiving antenna.
  - Increase the separation between the equipment and receiver.
  - Connect the equipment into an outlet on a circuit different from that to which the receiver is connected.
  - Consult the dealer or an experienced radio/TV technician for help.
- Shielded interface cables must be used in order to comply with emission limits.

**USER-INSTALLER CAUTION:** Your authority to operate this FCC verified equipment could be voided if you make changes or modifications not expressly approved by the party.

Thank you for purchasing the IK-WD12A Network Camera. Before you start using the camera, read this quick start guide carefully to ensure correct usage. Once you have finished reading this quick start guide, keep it in a convenient place for future reference.

The design, specifications, software, and quick start guide contents are subject to change without prior notice.

## Terms and Trademarks

- The term "OS" is used in this manual to indicate operating systems compatible with this product.
  - Windows® XP: Microsoft® Windows® XP operating system
  - Windows Vista®: Microsoft® Windows Vista® Business operating system
  - Windows 7®: Microsoft® Windows 7® Professional operating system
- The formal name of Windows® is Microsoft® Windows® Operating System.
- Microsoft®, Windows® and Windows Vista® are trademarks or registered trademarks of Microsoft® Corporation in the United States and other countries.
- Adobe® is a registered trademark and Adobe Reader® is a trademark of Adobe Systems Incorporated.
- Other product names appearing in this quick start guide may be trademarks or registered trademarks of their respective holders.

### NOTE

---

- The performance of the network camera may vary depending on the network environment.

# Table of Contents

Introduction	2
FCC (USA)-INFORMATION.....	2
Terms and Trademarks .....	3
Table of Contents.....	4
Important Safeguards .....	5
Notes on Use and Installation.....	8
Setting the Network Camera Environment .....	9
Items needed for network camera monitoring.....	9
Contents .....	10
Physical Description .....	11
Hardware Installation .....	12
Network Deployment .....	13
Assigning IP Address.....	15
Retrieving Images.....	16
Adjusting the Lens.....	17
Completion .....	19

# Important Safeguards

## 1. Read Instructions

Read all the safety and operating instructions before operating the product.

## 2. Retain Instructions

Retain the safety instructions and user's manual for future reference.

## 3. Warnings

Comply with all warnings on the product and in the user's manual.

## 4. Follow Instructions

Follow all operating and use instructions.

## 5. Cleaning

Disconnect this camera from the power supply before cleaning.

## 6. Attachments

Do not use attachments not recommended by the camera manufacturer as they may pose safety risks.

## 7. Water and Moisture

Do not use this camera near water. Some examples are: near a bath tub, wash bowl, kitchen sink, or laundry tub, in a wet basement, or near a swimming pool.

## 8. Accessories

Do not place this camera on an unstable cart, stand, tripod, bracket or table. The camera may fall, causing serious injury to a person, or serious damage to the product. Use only with stand, tripod, bracket, or table recommended by the manufacturer, or sold with the camera. Any mounting of the product should follow the manufacturer's instructions, and should use a mounting accessory recommended by the manufacturer.

## 9. Ventilation

This camera should never be placed near or over a radiator or heat register. If this product is placed in a built in installation verify that there is proper ventilation so that the camera temperature operates within the recommended temperature range.

## 10. Power Sources

This camera should be operated only from the type of power source indicated on the information label. If you are not sure of the type of power supply at your location, consult your product dealer.

## 11. Power-Cord Protection

Power cords should be routed so that they are not likely to be walked on or pinched by items placed upon or against them. Pay particular attention to cords at plugs, screws and the point where they exit the product.

## 12. Installation

Install this camera on a secure part of the ceiling or wall. If installed on an unsecured location, the camera could fall causing injury and damage.

### **13. Lightning**

For additional protection on this camera during a lightning storm, or when it is left unattended and unused for long periods of time, unplug it from the wall outlet and disconnect the power supply and cable system. This will prevent damage to the camera due to lightning and power-line surges. If lightning occurs, do not touch the unit or any connected cables in order to avoid electric shock.

### **14. Overloading**

Do not overload the power supply or extension cords as this can result in a risk of fire or electric shock.

### **15. Object and Liquid Entry**

Never push objects of any kind into this camera through openings as they may touch dangerous electrical points or short-out parts that could result in a fire or electrical shock. Never intentionally spill liquid of any kind on the camera.

### **16. Servicing**

Do not attempt to service this camera yourself as opening or removing covers may expose you to dangerous electrical or other hazards. Refer all servicing to qualified service personnel.

### **17. Damage Requiring Service**

Disconnect this camera from the power supply and refer servicing to qualified service personnel under the following conditions.

- a. When the power-supply cord or plug is damaged.
- b. If liquid has been spilled, or objects have fallen into the camera.
- c. If the camera has been submerged in water.
- d. If the camera does not operate normally by following the operating instructions in the user's manual. Adjust only those controls that are covered by the user's manual as an improper adjustment of other controls may result in damage and will often require extensive work by a qualified technician to restore the camera to its normal operation.
- e. If the camera has been dropped or the cabinet has been damaged.
- f. When the camera exhibiting a distinct change in performance which indicates a need for service.
- g. Other trouble.

### **18. Other trouble. Replacement Parts**

When replacing parts be sure the service technician uses parts specified by the manufacturer or have the same characteristics as the original part. Unauthorized substitutions may result in fire, electric shock or other hazards.

### **19. Safety Check**

Upon completion of any service or repairs to this camera, ask the service technician to perform safety checks to determine that the camera is in proper operating condition.

# Important Safeguards (Cont.)

CAUTION TO REDUCE THE RISK OF ELECTRIC SHOCK.  
DO NOT REMOVE COVER. NO USER SERVICEABLE PARTS INSIDE. REFER  
SERVICING TO QUALIFIED SERVICE PERSONNEL.



The lightning flash with arrowhead symbol, within an equilateral triangle, is intended to alert the user to the presence of uninsulated "dangerous voltage" within the product's enclosure that may be of sufficient magnitude to constitute a risk of electric shock to persons.



The exclamation point within an equilateral triangle is intended to alert the user to the presence of important operating and maintenance (servicing) instructions in the literature accompanying the appliance.

**WARNING:**

TO REDUCE THE RISK OF FIRE OR  
ELECTRIC SHOCK, DO NOT EXPOSE THIS  
APPLIANCE TO RAIN OR MOISTURE.

**FIELD INSTALLATION MARKING:**

WORDED: "THIS INSTALLATION SHOULD BE MADE BY A QUALIFIED SERVICE  
PERSON AND SHOULD CONFORM TO ALL LOCAL CODES."

# Notes on Use and Installation

- **Do not aim the camera at the sun**

Never aim the camera at the sun even with the camera power off.

- **Do not shoot intense light**

Intense light such as a spotlight may cause a bloom or smear. A vertical stripe may appear on the screen. However, this is not a malfunction.

- **Treat the camera with care**

Dropping or subjecting the camera to intense vibration may cause it to malfunction.

- **Never touch internal parts**

Do not touch the internal parts of the camera other than the parts specified.

- **Keep the camera installation away from video noise**

If cables are wired near electric lighting wires or a TV set, noise may appear in images. In this event relocate cables or reinstall equipment.

- **Check the ambient temperature and humidity**

Avoid using the camera where the temperature is hotter or colder than the specified operating range. Doing so could affect the internal parts or cause the image quality to deteriorate. Special care is required to use the camera at high temperature and humidity.

- **Should you notice any trouble**

If any trouble occurs while you are using the camera, turn off the power and contact your dealer. If you continue to use the camera when there is something wrong with it, the trouble may get worse and an unpredictable problem may occur.

# Setting the Network Camera Environment

## Items needed for network camera monitoring

### ● Administrator's personal computer

The personal computer that allows setting, operating, monitoring and other functions with the network camera is called the "administrator's personal computer" in this guide.

\* The personal computer for viewing monitored images is called the "user's personal computer" in this quick start guide. The network camera can be viewed by more than one personal computer at the same time.

### ● Recommended personal computer system requirements:

-- Windows® XP, Vista Business, or Windows 7 professional.

-- Internet Explorer Ver 8.0

-- CPU: Minimum of 2GHz CPU

-- Memory: 1GB RAM and 512MB Graphics Adapter

### ● Connection equipment such as LAN cables, and switch or router.

-- The LAN cable type differs depending on the connection method.

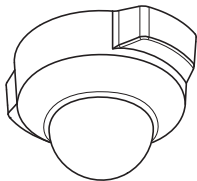
### ● Camera search application "Installation Wizard"

-- Install this application from the CD-ROM supplied as an accessory (Double-click "Setup.exe" in the CD-ROM and install the application by following the onscreen instructions.)

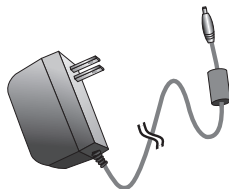
-- This application is the tool to discover the IP address of a camera. Using this application, the IP address of a camera can be easily determined.

# Contents

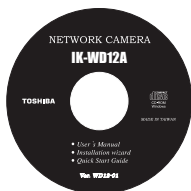
- IK-WD12A



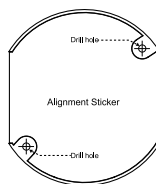
- AC Adapter



- CD-ROM



- Alignment Sticker



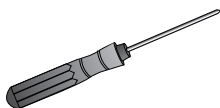
- Warranty Card



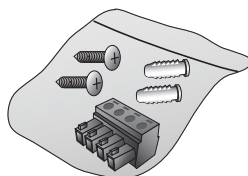
- Quick Start Guide and Important Safeguards



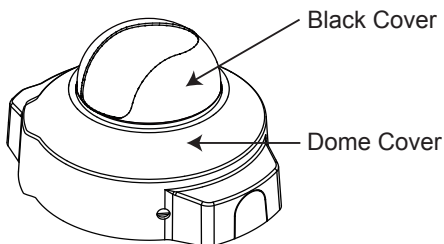
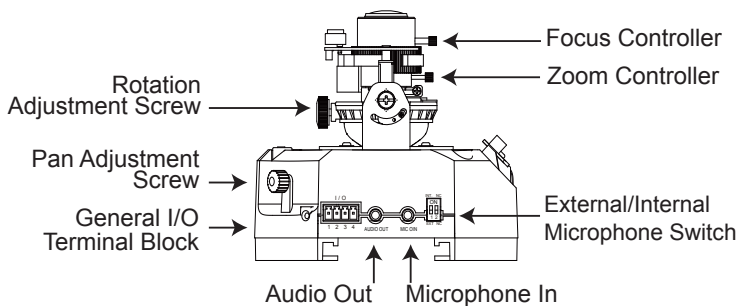
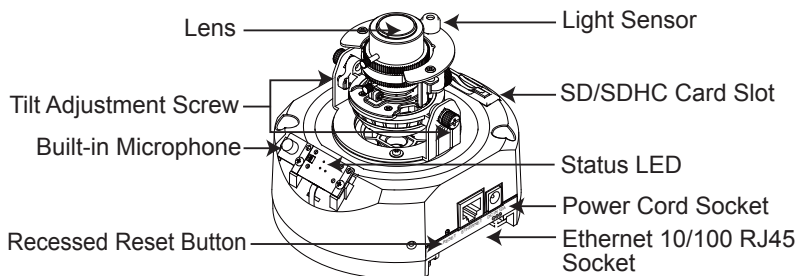
- Torx driver



- Screws and I/O Connector

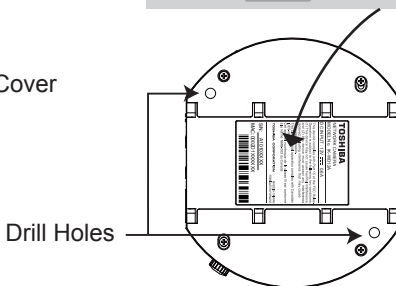


# Physical Description



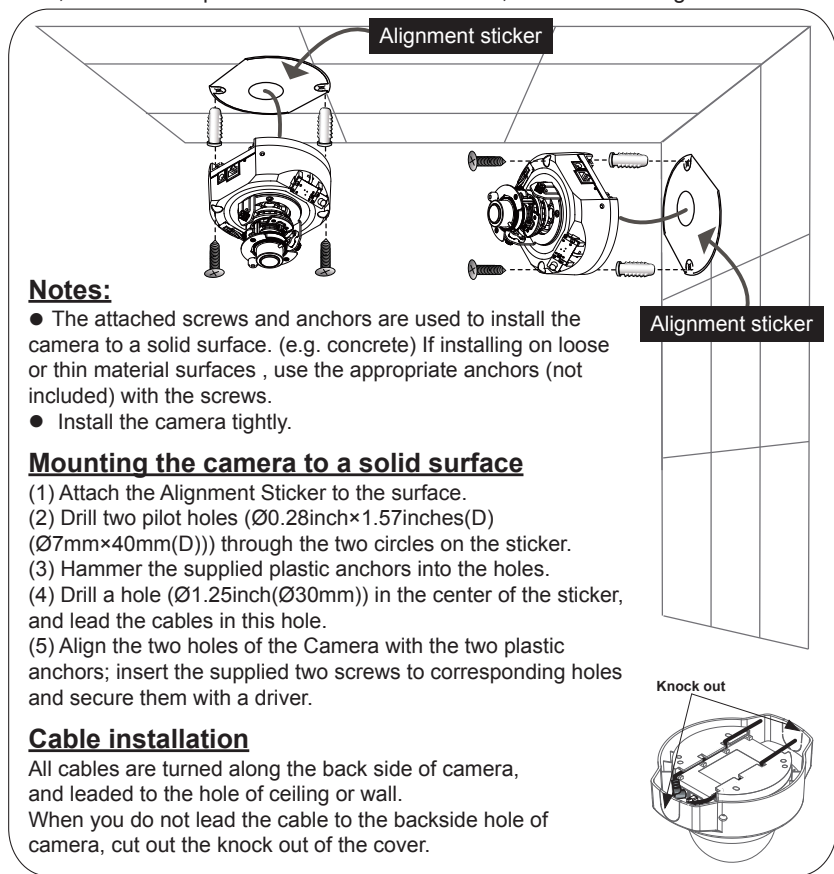
Treat the dome cover with care when installing. Or it may be damaged.

Record the MAC address under the camera base before installing the camera.



# Hardware Installation

First, use the supplied driver to detach the dome cover from the camera base. Then, follow the steps below to install the camera; either to a ceiling or to a wall.



## Notes:

- The attached screws and anchors are used to install the camera to a solid surface. (e.g. concrete) If installing on loose or thin material surfaces, use the appropriate anchors (not included) with the screws.
- Install the camera tightly.

## Mounting the camera to a solid surface

- (1) Attach the Alignment Sticker to the surface.
- (2) Drill two pilot holes ( $\varnothing 0.28\text{inch} \times 1.57\text{inches (D)}$  ( $\varnothing 7\text{mm} \times 40\text{mm (D)}$ )) through the two circles on the sticker.
- (3) Hammer the supplied plastic anchors into the holes.
- (4) Drill a hole ( $\varnothing 1.25\text{inch} (\varnothing 30\text{mm})$ ) in the center of the sticker, and lead the cables in this hole.
- (5) Align the two holes of the Camera with the two plastic anchors; insert the supplied two screws to corresponding holes and secure them with a driver.

## Cable installation

All cables are turned along the back side of camera, and leaded to the hole of ceiling or wall.

When you do not lead the cable to the backside hole of camera, cut out the knock out of the cover.

## NOTE

- Installation should be done only by qualified personnel and conform to all local codes.
- Install this camera on a firm and solid part of the ceiling or wall.

If installed on a weak place the camera could fall causing injury and damage.

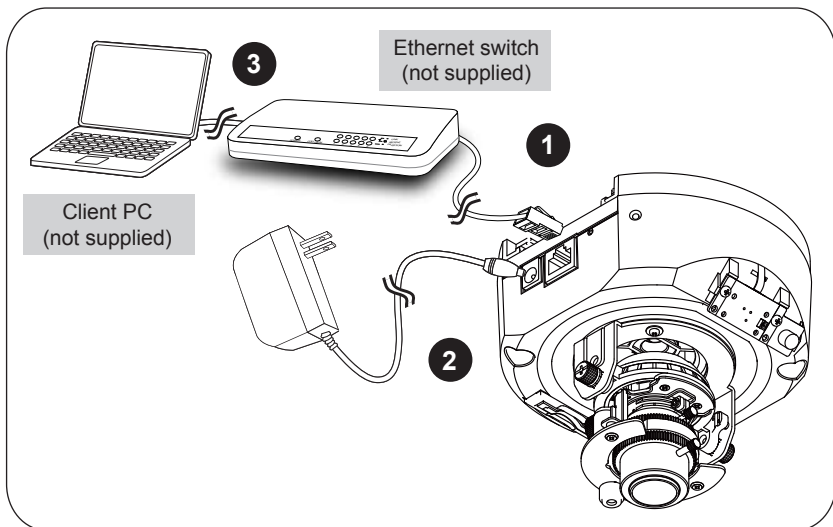
## Notice of installation near a wall

A screw driver is required to tighten the dome cover. Ensure that the camera is installed with sufficient clearance for tightening the dome cover.

# Network Deployment

## General Connection (without PoE)

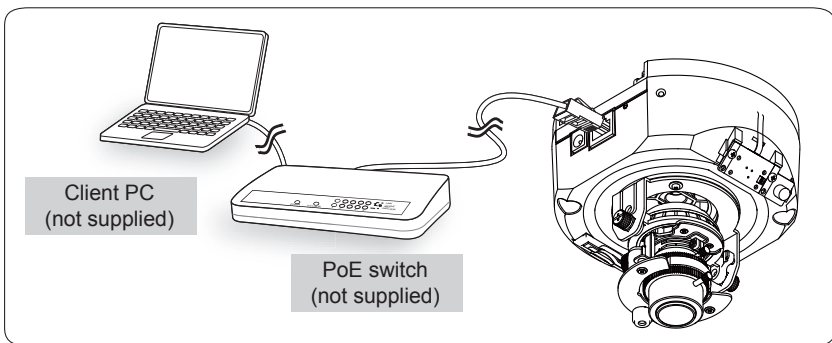
1. Connect the camera to an Ethernet switch via LAN cable.
2. Connect the supplied power cable from the camera to a power outlet.
3. Connect the PC to an Ethernet switch via Ethernet cable.



## Power over Ethernet (PoE)

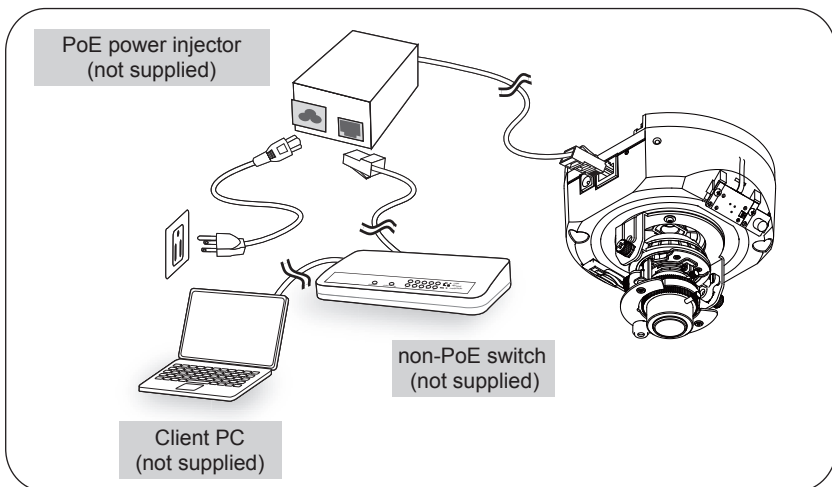
### • When using a PoE-enabled switch

The camera is PoE-compliant, allowing transmission of power and data via single LAN cable. See the following illustration to connect the camera to a PoE switch via LAN cable.



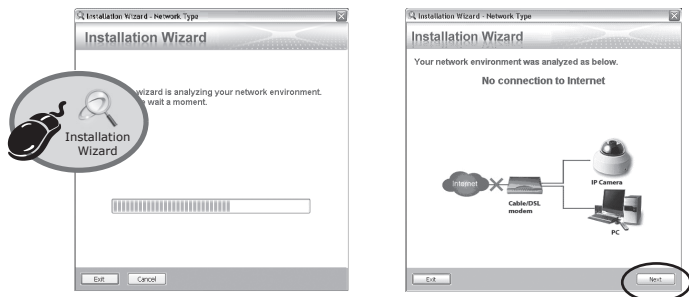
### • When using a non-PoE switch

Use a PoE power injector (not supplied) to connect between the camera and a non-PoE switch.

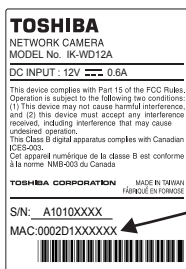


# Assigning IP Address

1. Install the "Installation Wizard" under the Software Utility directory from the CD-ROM.
2. The program will analyze your network environment. After your network is analyzed, please click on the "Next" button to continue the program.



3. The program searches for other Network Cameras on the same network.
4. After searching, the main installer window will pop up. Click on the MAC that matches the one you just noted from the product label of your device to connect to the Network Camera.

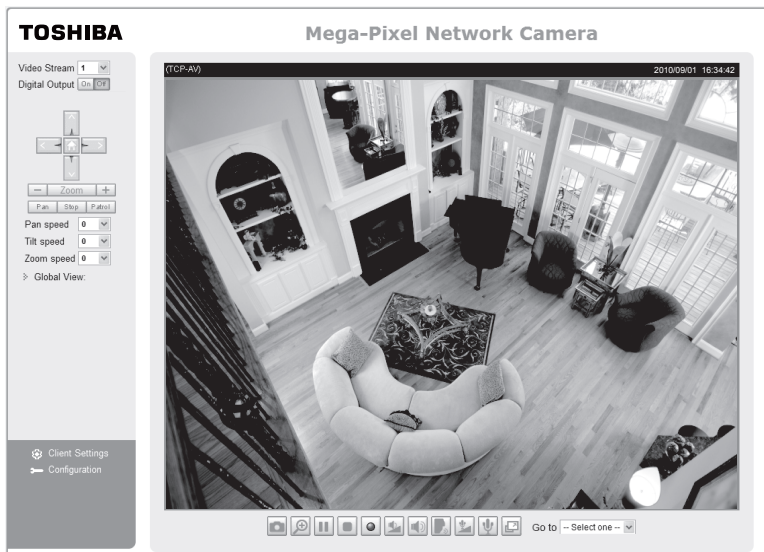


## NOTE

- If "Installation Wizard" does not perform normally or the camera can not be found during the search even though the camera and a PC are connected correctly, please switch off the wireless LAN of a PC.
- Installation Wizard can search the location of the Network Camera even though DHCP is not used on the network. Reassign the static IP address because IP address of the Network Camera has been set 169.254.\*.\* by default.

# Retrieving Images

1. Access to the Network Camera from the network.
2. Retrieve live video through Internet Explorer®.



For more information on camera configuration, please refer to user's manual on the CD-ROM.

# Adjusting the Lens

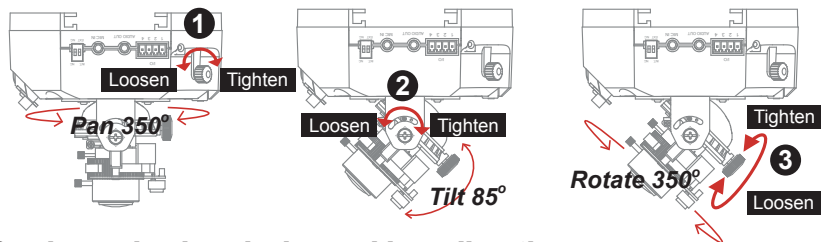
Based on the live image retrieved from the camera, adjust the camera lens by doing the following:

## **To adjust the viewing angle**

1. Loosen the pan adjustment screw and then turn the lens module left and right. Upon completion, tighten the screw.
2. Loosen the tilt adjustment screws on both side of the camera and then turn the lens module up and down. Upon completion, tighten the screws.
3. Loosen the rotation adjustment screw and then turn the lens to adjust the image orientation. Upon completion, tighten screw.

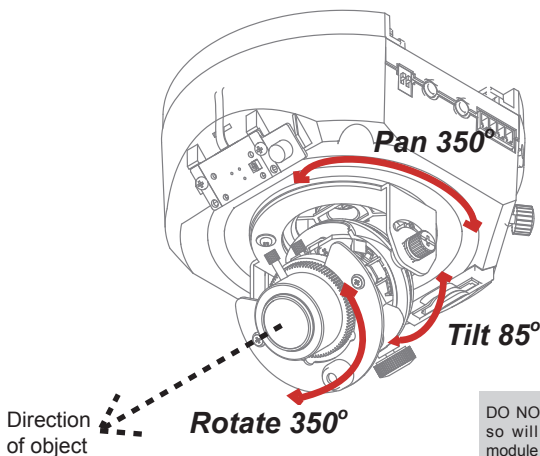
→ Rotate the screw  
- - - -> Turn the lens

Do not over tighten the tilt adjustment screws. Doing so will damage the tilt mechanism.



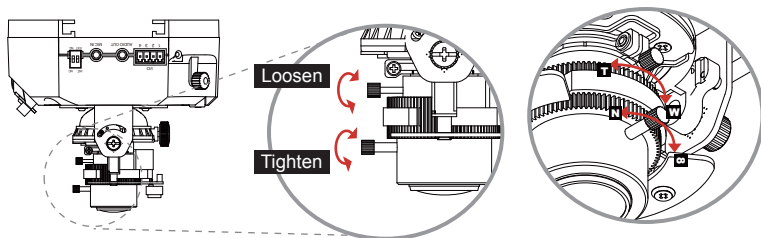
## **3-axis mechanism design and lens direction**

The sophisticated 3-axis mechanism design offers very flexible, easy hardware installation for either ceiling or wall mount.



## **To adjust the zoom factor and focus range**

1. Loosen the zoom controller to adjust the zoom factor. Upon completion, tighten the zoom controller.
2. Loosen the focus controller to adjust the focus range. Upon completion, tighten the focus controller.



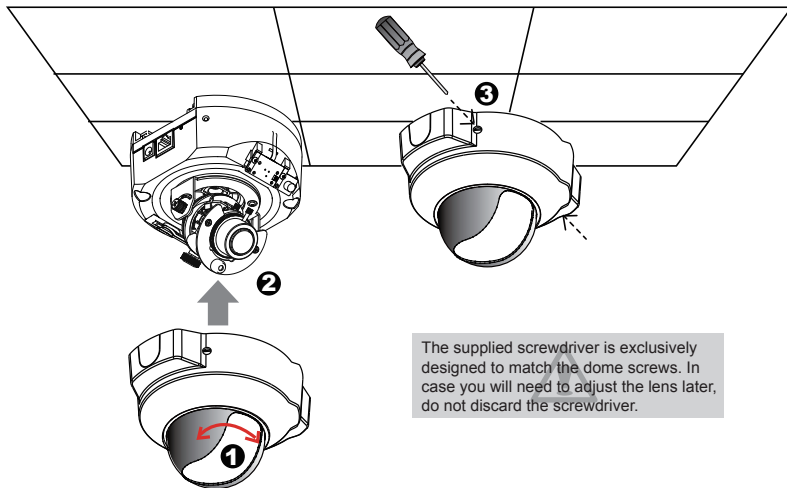
### **NOTE**

After adjusting the focus and reattaching the dome cover, the focus may shift due to the refractive index of the dome cover.

To avoid this, focus on an object slightly closer than the intended area to compensate, when adjusting the focus.

# Completion

1. Rotate the black cover inside the dome cover to fit the lens shooting direction.
2. Attach the dome cover to camera.
3. Secure the two dome screws with a screwdriver. Finally, make sure all parts of the camera are securely installed.



**TOSHIBA AMERICA INFORMATION SYSTEMS, INC.**

Surveillance & IP Video Products

9740 Irvine Boulevard,

Irvine, CA 92618-1697

Phone Number: (877) 855-1349

625012800G