

# TOSHIBA

## NETWORK CAMERA

Model **IK-WR01A**

---

### Safety Precautions

For information on the latest products and peripheral devices, refer to the following Web page.

■ <http://www.netcam.toshiba.com>

- The above URL is subject to change without prior notice. If the URL changes, refer to the Toshiba website (<http://www.cctv.toshiba.com>).
- The Operations Manual for this product is included on the supplied CD-ROM.
- These Safety Precautions apply to firmware version R 1.01 and later.

# Introduction

Thank you for purchasing the IK-WR01A Network Camera.

Before you start using the camera, read these Safety Precautions carefully to ensure correct usage. Once you have finished reading these Safety Precautions, keep it in a convenient place for future reference.

The design, specifications, software, and manual contents are subject to change without prior notice.

Some pictures and illustrations contained herein may slightly differ from the actual images.

## Terms and Trademarks

- The term "OS" is used in the Operations Manual to indicate operating systems compatible with this product.
  - Windows 2000: Microsoft® Windows® 2000 operating system
  - Windows XP: Microsoft® Windows® XP operating system
- The formal name of Windows® is Microsoft® Windows® Operating System.
- Microsoft® and Windows® are trademarks or registered trademarks of Microsoft® Corporation in the United States and other countries.
- Adobe is a registered trademark and Acrobat Reader is a trademark of Adobe Systems Incorporated.
- Other product names appearing in these Safety Precautions or the Operations Manual may be trademarks or registered trademarks of their respective holders.

## Accessories

Confirm that all of the following accessories have been supplied with the network camera.

- (a) CD-ROM ..... 1pc.  
Includes the Operations Manual and the software Camera Finder.
- (b) WARRANTY ..... 1pc.
- (c) Safety Precautions and Quick Start Guide (this document) ..... 1pc.  
\* The Quick Start Guide is at the back of the Safety Precautions.
- (d) Mounting Base ..... 1pc.
- (e) Bracket ..... 1pc.
- (f) Screw A ..... 3pc.
- (g) Screw B ..... 3pc.
- (h) Clear Dome Cover ..... 1pc.
- (i) Special Hexangular Wrench ..... 1pc.
- (j) Monitor Out Harness Wire ..... 1pc.
- (k) RJ45 In-Line Coupler ..... 1pc.
- (l) Power connector ..... 1pc.
- (m) Core A ..... 1pc.
- (n) Core B ..... 1pc.



# Table of Contents

Introduction...	2
Table of Contents .....	4
IMPORTANT SAFEGUARDS .....	5
NOTES ON USE AND INSTALLATION .....	10
Precautions for Use .....	11
Camera Installation Guide .....	12

For details on settings, operations, etc, refer to the Operations Manual (PDF file) included on the CD-ROM.

Acrobat Reader is required to view the PDF file. If you do not have Acrobat Reader, download it from the Web site of Adobe Systems Incorporated.

# IMPORTANT SAFEGUARDS

## 1. Read Instructions

All the safety and operating instructions should be read before the product is operated.

## 2. Retain Instructions

The safety instructions and instruction manual should be retained for future reference.

## 3. Heed Warnings

All warnings on the product and in the instruction manual should be adhered to.

## 4. Follow Instructions

All operating and use instructions should be followed.

## 5. Cleaning

Disconnect this video product from the power supply before cleaning.

## 6. Attachments

Do not use attachments not recommended by the video product manufacturer as they may cause hazards.

## 7. Water and Moisture

Do not use this video product near water—for example, near a bath tub, wash bowl, kitchen sink, or laundry tub, in a wet basement, or near a swimming pool and the like.

## 8. Accessories

Do not place this video product on an unstable cart, stand, tripod, bracket or table. The video product may fall, causing serious injury to a child or adult, and serious damage to the product. Use only with stand, tripod, bracket, or table recommended by the manufacturer, or sold with the video product. Any mounting of the product should follow the manufacturer's instructions, and should use a mounting accessory recommended by the manufacturer.

# IMPORTANT SAFEGUARDS (Cont.)

## 9. Ventilation

This video product should never be placed near or over a radiator or heat register. This video product should not be placed in a built-in installation such as a bookcase or rack unless proper ventilation is provided or the manufacturer's instructions have been adhered to.

## 10. Power Sources

This video product should be operated only from the type of power source indicated on the marking label. If you are not sure of the type of power supply to your location, consult your product dealer.

## 11. Power-Cord Protection

Power-Supply cords should be routed so that they are not likely to be walked on or pinched by items placed upon or against them, paying particular attention to cords at plugs, screws and the point where they exit from the product.

## 12. Installation

This video product should be installed on a firm and solid part of the ceiling or wall. If installed on a soft and weak place, the camera unit may fall. A person under it may be injured and things under it may be damaged.

## 13. Lightning

For added protection for this video product during a lightning storm, or when it is left unattended and unused for long periods of time, unplug it from the wall outlet and disconnect the power supply and cable system. This will prevent damage to the video product due to lightning and power-line surges. If lightning occurs, do not touch the unit or any connected cables in order to avoid electric shock.

## 14. Overloading

Do not overload power supply and extension cords as this can result in a risk of fire or electric shock.

## 15. Object and Liquid Entry

Never push objects of any kind into this video product through openings as they may touch dangerous voltage points or short-out parts that could result in a fire or electrical shock. Never spill liquid of any kind on the video product.

## **16. Servicing**

Do not attempt to service this video product yourself as opening or removing covers may expose you to dangerous voltage or other hazards. Refer all servicing to qualified service personnel.

## **17. Damage Requiring service**

Disconnect this video product from the power supply and refer servicing to qualified service personnel under the following conditions.

- a. When the power-supply cord or plug is damaged.
- b. If liquid has been spilled, or objects have fallen into the video product.
- c. If the video product has been exposed to rain or water.
- d. If the video product does not operate normally by following the operating instructions in the instruction manual. Adjust only those controls that are covered by the instruction manual as an improper adjustment of other controls may result in damage and will often require extensive work by a qualified technician to restore the video product to its normal operation.
- e. If the video product has been dropped or the cabinet has been damaged.
- f. When the video product exhibits a distinct change in performance-this indicates a need for service.

## **18. Replacement Parts**

When replacement parts are required, be sure the service technician has used replacement parts specified by the manufacturer with the same characteristics as the original part. Unauthorized substitutions may result in fire, electric shock or other hazards.

## **19. Safety Check**

Upon completion of any service or repairs to this video product, ask the service technician to perform safety checks to determine that the video product is in proper operating condition.

# IMPORTANT SAFEGUARDS (Cont.)



The CAUTION label, shown on the above part, is attached on the camera.



The lightning flash with arrowhead symbol, within an equilateral triangle, is intended to alert the user to the presence of uninsulated "dangerous voltage" within the product's enclosure that may be of sufficient magnitude to constitute a risk of electric shock to persons.



The exclamation point within an equilateral triangle is intended to alert the user to the presence of important operating and maintenance (servicing) instructions in the literature accompanying the appliance.

**WARNING:**

TO REDUCE THE RISK OF FIRE OR ELECTRIC SHOCK, DO NOT EXPOSE THIS APPLIANCE TO RAIN OR MOISTURE.

**CAUTION:**

CONNECT 24V AC UL LISTED CLASS 2 POWER SUPPLY.

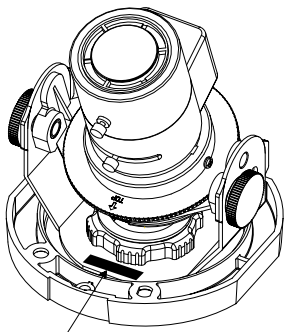
**FIELD INSTALLATION:**

WORDED : "THIS INSTALLATION SHOULD BE MADE BY A QUALIFIED SERVICE PERSON AND SHOULD CONFORM TO ALL LOCAL CODES."

## FCC NOTICE

This equipment has been tested and found to comply with the limits for a Class A digital device, pursuant to Part 15 of the FCC Rules. These limits are designed to provide reasonable protection against harmful interference when the equipment is operated in a commercial environment. This equipment generates, uses, and can radiate radio frequency energy and, if not installed and used in accordance with the instruction manual, may cause harmful interference to radio communications. Operation of this equipment in a residential area is likely to cause harmful interference in which case the user will be required to correct the interference at his own expense.

**USER-INSTALLER CAUTION :** Your authority to operate this FCC verified equipment could be voided if you make changes or modifications not expressly approved by the party.



Serial No Label

The serial No. label is located here.

# NOTES ON USE AND INSTALLATION

- **Do not aim the camera at the sun**

Do not aim the camera at the sun or point it at sun even if you are not shooting.

- **Do not shoot intense light**

Intense light such as a spotlight may cause a bloom or smear. A vertical stripe may appear on the screen. However, this not a malfunction.

- **Treat the camera with care**

Do not drop the camera or subject it to strong shock or vibration. Otherwise, the camera may malfunction.

- **Never touch internal parts**

Do not touch the internal parts of the camera other than the parts specified. Otherwise, the camera may malfunction.

- **Install the camera**

- Where no video noise appears**

If cables are wired near electric lighting wires or a TV set, noise may appear in images. In this event, relocate cables or reinstall equipment.

- **Check the ambient temperature and humidity**

Avoid using the camera where the temperature is hotter or colder than specified. Otherwise, the quality of images may deteriorate or internal parts may be affected. Special care is required to use the camera at high temperature and humidity.

- **Should you notice any trouble**

If any trouble occurs while you are using the camera, turn off the power and contact your dealer. Continued use in this state might cause fire or electric shock. For details on repair, consult the place of purchase, or please contact the technical support number.

# Precautions for Use

## About the AC Adapter

- An AC adapter is not supplied with this model. If you want to use an AC adapter, you will need to provide an AC adapter capable of supplying at least 10 W.

## About the Power supply

- The IK-WR01A operates with one of the following power source: 12vDC, 24vAC or PoE. Set the power selection switch on the camera to the correct power source before turning the camera on. **DO NOT RE-SET THE POWER SELECTION SWITCH WHEN THE UNIT IS ON.**

## About the PoE Power Supply Device

- A PoE power supply device is required for supplying power to the camera via the LAN cable.
- Use IEEE802.3af-compliant PoE devices.
- Use a 4 pair twisted cable for the LAN cable to connected the camera to a PoE compatible hub.

## About the software

This product contains a piece of software (hereafter the Software) licensed to TOSHIBA CORPORATION (hereafter TOSHIBA) by TOPCO CORPORATION. (hereafter TOPCO).

The copyright and other intellectual property rights of the software are held by TOPCO or the licensor.

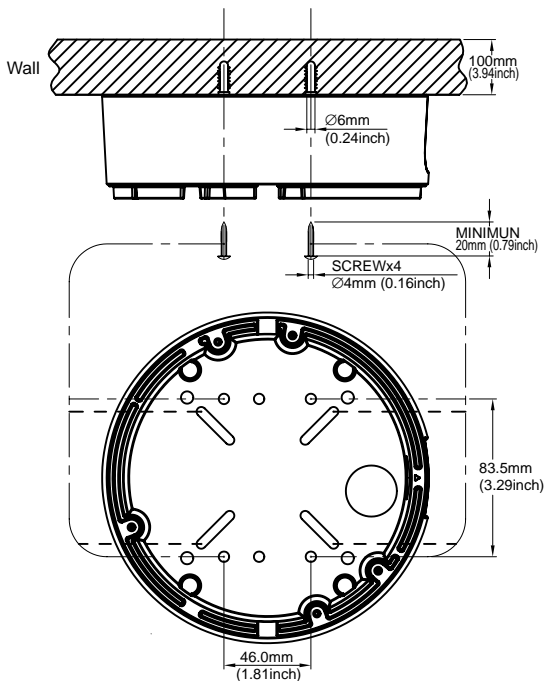
The software is protected by the Copyright Law, Universal Copyright Convention, and other intellectual property laws and agreements. The permission of TOPCO or the licensor must therefore be obtained before the software can be reproduced.

Note, however, that the software is partly covered under the GNU General Public License Version 2 (hereafter GPL2). You can obtain a copy of GPL2 at <http://www.fsf.org/copyleft/gpl.html>. TOPCO will provide the GPL-covered source code of the software in accordance with the terms of GPL2. Contact TOPCO if you need it for more information.

# Camera Installation Guide

## Installation Example

Unit: mm (inches)

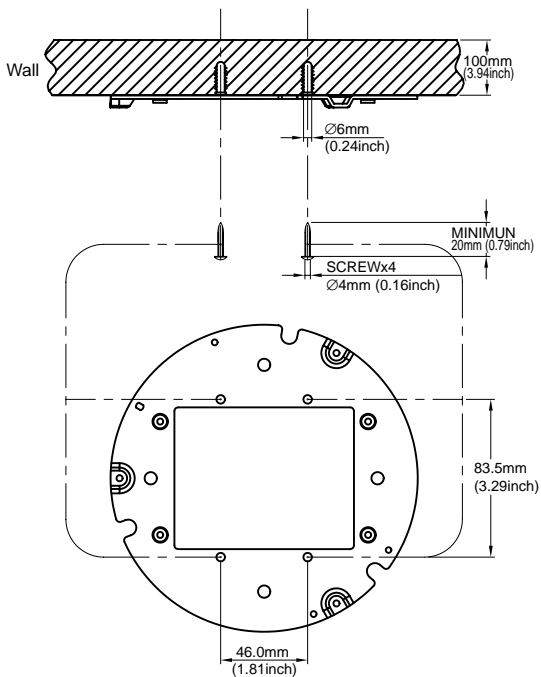


SURFACE MOUNT INSTALLATION

EIM-0010325 4/26/2000

The Installation Guide is for reference only.  
Mounting bracket is not included.

Unit: mm (inches)



FLUSH MOUNT INSTALLATION



# Memo



**TOSHIBA AMERICA INFORMATION SYSTEMS. INC**

Security & Network Video Products

9740 Irvine Boulevard,

Irvine California 92618-1697

Phone Number: (877)696-3822