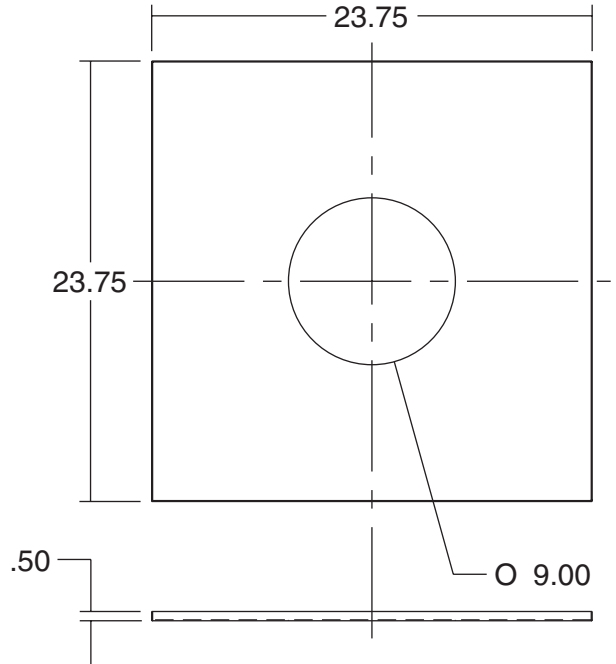
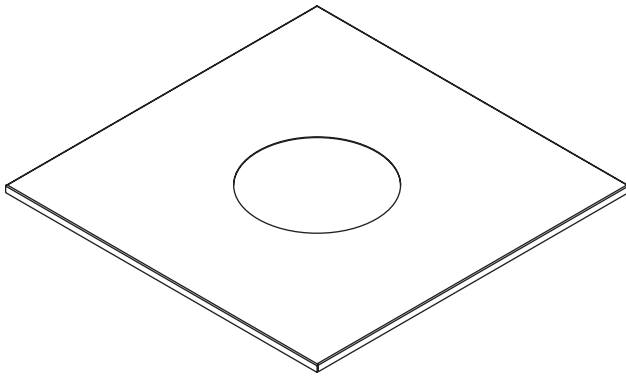


Indoor Ceiling Plate JK-CTA

TOSHIBA



DESCRIPTION

The JK-CTA is a metal ceiling tile to be used in conjunction with the JK-HO1A interior in-ceiling housing.

FEATURES

- Easy ceiling tile replacement
- Flame retardant metal construction
- Accepts JK-HO1A in-ceiling housing
- Attractive white powder coat finish

MECHANICAL SPECIFICATIONS

Size (hxwx): 23.875" x 23.875" x .5"
 Weight: 8 lbs.
 Construction: Steel with white powder coat finish

MODELS

Outdoor Dome Housing

JK-CTA - Metal ceiling tile adapter

Model	Unit Weight	Shipping Weight	Shipping Box Dim.
JK-CTA	8 lbs	9 lbs	-
* Shipping weights depend on box dimensions.			