

BATKO

Made for Toshiba

TECHNICAL SPECIFICATIONS

FSM-WB21

Wall mount for IK-WB21A



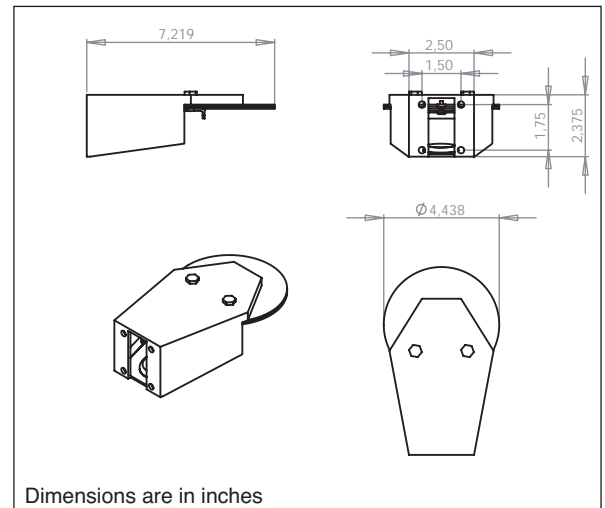
Features

- Wall mount specially designed for the IK-WB21A camera
- Lightweight, made entirely of aluminum
- Removable panel to facilitate passing through wires
- Knockout available

Construction

Material: All aluminum, 8 ga. (0.125 in.), #3003-H14 alloy
Surface finish: Polyurethane paint (Toshiba color)
Weight: 1.2 lbs (0.54 kg)

External Dimensions: 4.438 x 2.375 x 7.219 in. (WxHxD)
113 x 60 x 183 mm (WxHxD)



Installation Steps

- 1 – Install the wall mount on the wall (#1).
- 2 – Remove the locking device (#3) from (#2).
- 3 – Insert (#2) into the base of the camera by inserting the mounting plate feet into the camera base then sliding the mounting plate to secure the mounting plate to the camera.
- 4 – Install the camera on the wall support (#1) using parts #2 and #5, as shown in the drawing.
- 5 – Complete the installation and close the cover (#4).

