



Made for Toshiba

TECHNICAL SPECIFICATIONS

FSM-WR01

Wall mount for IK-WR01A



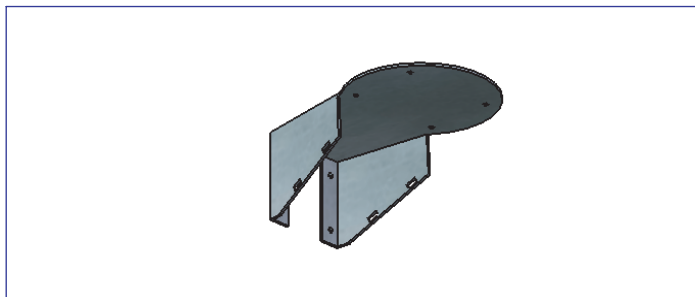
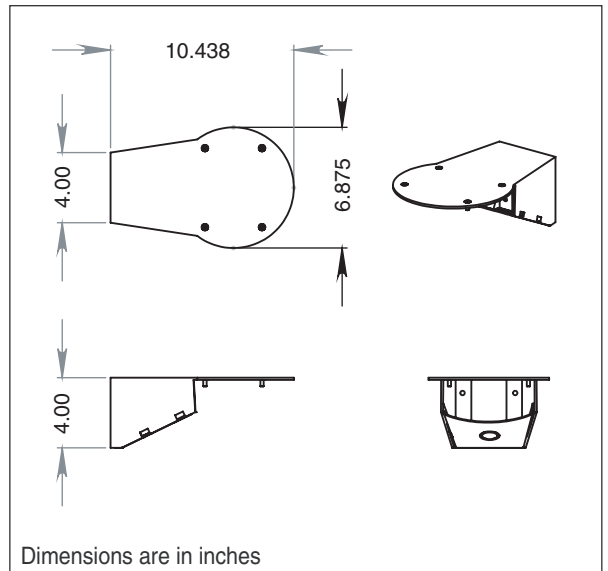
Features

- Wall mount specially designed for the IK-WR01A camera
- Lightweight, made entirely of aluminum
- Removable panel to facilitate passing through wires
- Knockout available

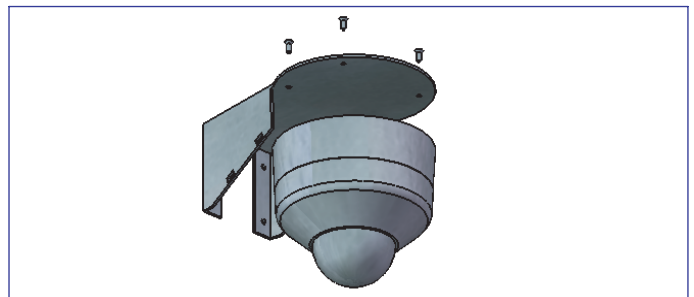
Construction

Material: All aluminum, 8 ga. (0.125 in.), #3003-H14 alloy
 Surface finish: Polyurethane paint (Toshiba color)
 Weight: 1.75 lbs (0.79 kg)

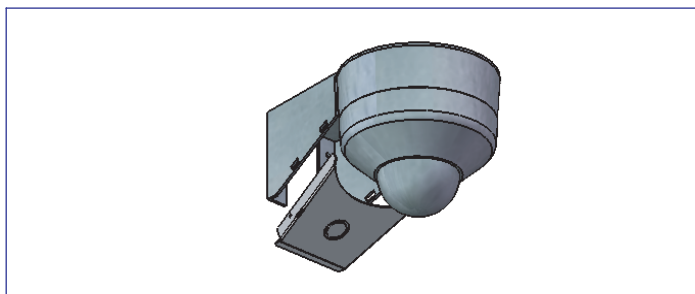
External Dimensions: 6.875 x 4.00 x 10.438 in. (WxHxD)
 175 x 102 x 265 mm (WxHxD)



1- Fix the mount to the wall.



2- Fix the camera under the bracket with 4 furnished screws.



3- Complete the camera installation & place the cover as shown on the drawing.

