



FB-3610-92-HB-C Environmental Dome for IK-WB21A

Features

- Compatible with the IK-WB21A
- Upper dome configuration prevents water droplets on dome cover surface
- Adjustable camera bracket
- Dome cover locked in place with 4 screws with retainers
- Clear dome cover (tinted dome cover available, see page 2)

Fabrication

- UV protected white ABS construction (upper dome)
- 1/8" acrylic (dome cover)

Power Supply Specifications

Regulated output power supply

- Input : 24VAC-100VA (transformer not included)
- 12VDC camera output, maximum 3AMP at 70°F
- 2AMP, 250V Fuse Protection
- Surge Protection

Blower Specifications

- 12VDC, 1WATT, 15CFM
- Continuous duty

Heater Board Specifications

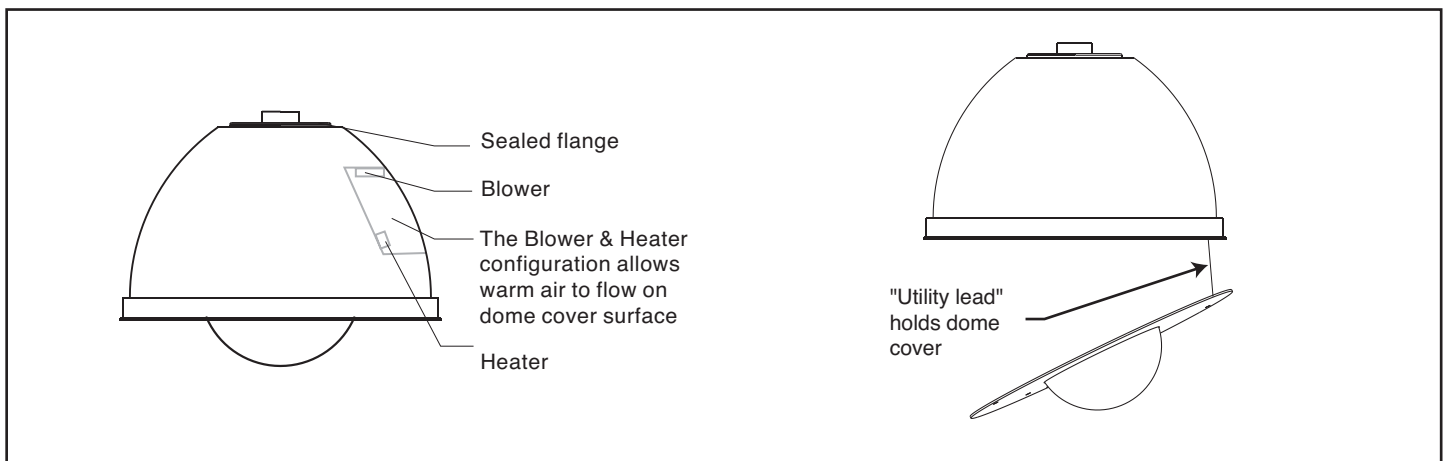
- 24VAC, 40WATT Heater
- Thermostat activates at 6° C (39° F ± 3° F)
- 24VAC camera output



Regulated output power supply



Heater Board



2 lower domes available :



Clear

Smoked

The FB-3610-92-HB-C Dome comes with Clear Dome. The part number for the SMOKED dome is FD-1606-S.

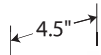
Weight :

FB-3610-92 :	9 lbs
FSP3610 :	3.25 lbs
FSM3610 :	2.2 lbs
FSC3610 :	2.7 lbs
FSA3610 :	1.3 lbs

Part number	Description	Input	Wattage	Temperature
FB-3610-92-HB-C	Heater, Blower & Clear Dome	24VAC, 100VA	41WATTS	-22°F to 120°F (-30°C to 49°C)

Mounting Accessories :

Wall mount FSM3610



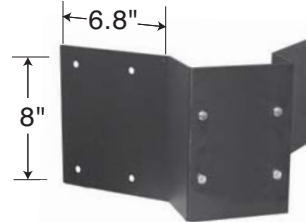
- Access channel for cable
- Stainless steel bolt for dome
- Waterproof

Ceiling mount FSP3610



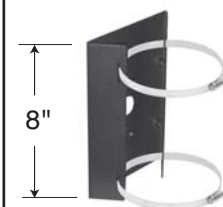
- 6" x 1" NPT threaded pipe
- Mounting box with knockouts

Corner adaptor FSC3610



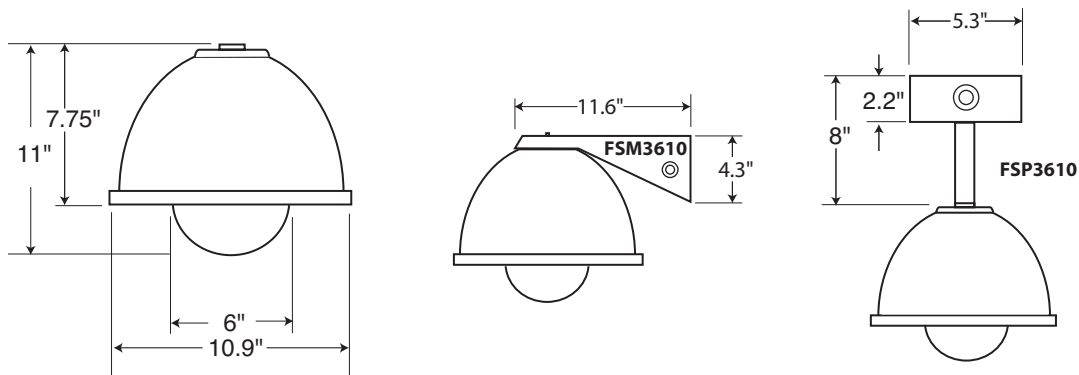
- Heavy duty
- 4 screws included
- Requires FSM3610

Pole adaptor FSA3610



- 2 Stainless Steel straps
- For 3" to 8 1/2" pole
- Requires FSM3610

Hybrid Dome Dimensions :



* Mounting Plate :



The adjustable mounting plate matches the foot print of the Toshiba IP PTZ camera. See Installation Guide.

Adjustable mounting plate for IK-WB21A

FB-3610-92-HB-C

Outdoor Dome for IK-WB21A



Installation Steps

** Do not immediately remove the plastic film on the lower dome section. Install the Wall Mount (FSM3610) or Ceiling Mount (FSP3610). Make sure it is safely secured in place.

- Use a SLOT screwdriver, release the four screws holding the lower dome to the upper dome section (**see #1**). **IMPORTANT:** 1/4 turn counter-clockwise to unlock each screw (**1**). Carefully remove the dome cover (use a light twisting movement if needed to loosen seal).
- Attach the upper dome section to the mounting bracket (**2**).
- Remove the mounting plate (**3**). Pull cables through the mounting bracket (**4**). Fix the camera to the mounting plate with the 4 screws provided (**5**).
- Connect the 24VAC power cable to the "AC IN" terminals (**6**). Insure that the transformer isn't connected to the 120VAC source at this time (input: 24VAC, 100VA).
- Connect the jumper cable (12VDC) to the camera (**7**).
- Insert the mounting plate & camera assembly in **LOCATION # 7** inside the dome (**8**). **NOTE:** While installing the mounting plate back in the dome, you may have to move the adapter to level the mounting plate (**9**).
- Check all connections before connecting the transformer to 120VAC. If the camera doesn't work, verify the fuse (**10**) and the transformer output ! Complete camera testing.
- Fix the dome cover back in place arrow above arrow (**11**) and secure the four screws. **IMPORTANT:** 1/4 turn clockwise to lock each screw (**12**). Remove the protective film off the dome cover.

